

DIMENSION TABLE

ANSI 1000 WOG DIMENSION TABLE

Unit : mm

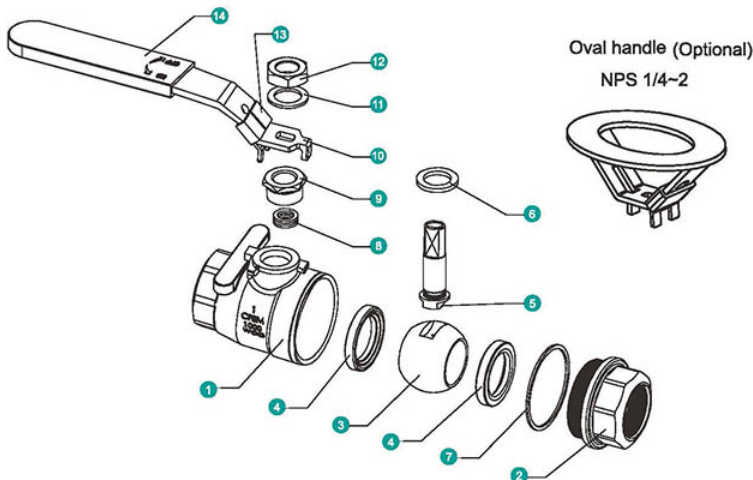
DN	NPS	d	L	H	W	E	G	HEX.B
8	1/4	10.6	58.0	59	100	12.7	28.5	23.5
10	3/8	12.7	58.0	59	100	12.7	28.5	23.5
15	1/2	15	62.0	59	100	12.7	28.5	25
20	3/4	20	72.4	64	129	22.0	34.8	32
25	1	25	85.0	77	156	22.0	34.8	41
32	1 1/4	32	94.0	83	156	23.6	38.1	50
40	1 1/2	38	105.0	96	183	23.6	38.1	56
50	2	50	125.0	103	183	23.6	38.1	70
65	2 1/2	63.5	155.0	130	252	35.0	65.0	83
80	3	76	173.0	139	252	35.0	65.0	102

ANSI 1000 WOG DIMENSION TABLE

Unit : inch

DN	NPS	d	L	H	W	E	G	HEX.B
8	1/4	0.42	2.28	2.32	3.94	0.50	1.12	0.93
10	3/8	0.47	2.28	2.32	3.94	0.50	1.12	0.93
15	1/2	0.59	2.44	2.32	3.94	0.50	1.12	0.98
20	3/4	0.79	2.85	2.52	5.08	0.87	1.37	1.26
25	1	0.98	3.35	3.03	6.14	0.87	1.37	1.61
32	1 1/4	1.26	3.70	3.27	6.14	0.93	1.50	1.97
40	1 1/2	1.50	4.13	3.78	7.20	0.93	1.50	2.20
50	2	1.97	4.92	4.06	7.20	0.93	1.50	2.76
65	2 1/2	2.50	6.10	5.12	9.92	1.38	2.56	3.27
80	3	2.99	6.81	5.47	9.92	1.38	2.56	4.02

PRESSURE - TEMPERATURE RATINGS



MATERIAL OF CONSTRUCTION

NO.	PART NAME	MATERIALS
1	Body	CF8M(1.4408) CF8(1.4308) WCB(1.0619)
2	End Cap(Thread)	CF8M(1.4408) CF8(1.4308) WCB(1.0619)
3	Ball	CF8
4	Ball Seat	TFM1600/PTFE/TFM4215
5	Stem	316 304
6	Body Gasket	PTFE/ GRAPHITE*
7	Thrust washer	PTFE/TFM1600
8	Packing	PTFE/ GRAPHITE*
9	Gland Nut	304
10	Handle	304
11	Stem Washer	304
12	Handle Nut	A193-8
13	Lock Device	304
14	Handle Sleeve	VINYL PLASTIC